

# Product Registration

Thank you for purchasing YOKOGAWA products.

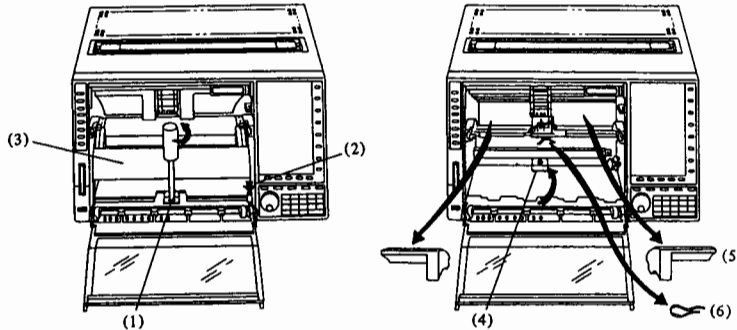
YOKOGAWA provides registered users with a variety of information and services. Please allow us to serve you best by completing the product registration form accessible from our homepage.

*<http://www.yokogawa.com/ns/reg/>*

# Instruction Manual

## LR8100E Recorder Unpacking Procedures

- (1) Open the front door.
- (2) Remove the screw (1) and bracket used to hold the chart tray in place during transportation.
- (3) Press the stopper (2) on the lower right side of the chart compartment to allow the chart tray to swing out.
- (4) Pull the tray forward and remove it from the recorder.
- (5) Remove the packing (3) in the center of the chart tray.
- (6) Mount the bracket at the back of the chart compartment for future use. (A tapped hole (4) is provided to screw the bracket in place.)
- (7) Remove the packing material (5) holding the pens in the center of the compartment.
- (8) Remove the PVC wire (6) holding the printer head in the center of the compartment.
- (9) Put back the chart tray in place.
- (10) Unpacking is now complete. The recorder is now ready for use with reference to the Instruction Manual.



**YOKOGAWA** ◆  
Yokogawa Electric Corporation

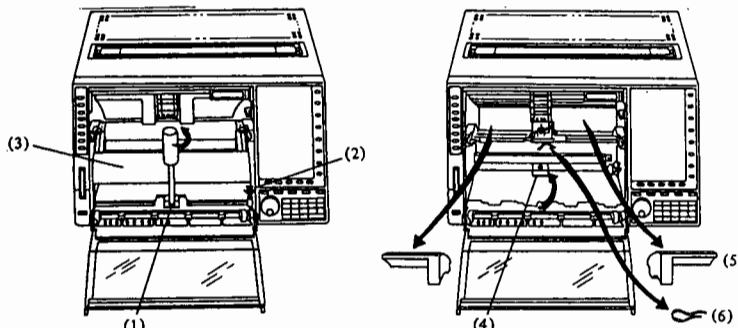
© Copyright May 1988 (YK)  
2nd Edition: Dec. 1996 (YK)

IM 3701-99E

# Instruction Manual

## LR8100E Recorder Unpacking Procedures

- (1) Open the front door.
- (2) Remove the screw (1) and bracket used to hold the chart tray in place during transportation.
- (3) Press the stopper (2) on the lower right side of the chart compartment to allow the chart tray to swing out.
- (4) Pull the tray forward and remove it from the recorder.
- (5) Remove the packing (3) in the center of the chart tray.
- (6) Mount the bracket at the back of the chart compartment for future use. (A tapped hole (4) is provided to screw the bracket in place.)
- (7) Remove the packing material (5) holding the pens in the center of the compartment.
- (8) Remove the PVC wire (6) holding the printer head in the center of the compartment.
- (9) Put back the chart tray in place.
- (10) Unpacking is now complete. The recorder is now ready for use with reference to the Instruction Manual.



**YOKOGAWA** ◆  
Yokogawa Electric Corporation

© Copyright May 1988 (YK)  
2nd Edition: Dec. 1996 (YK)

IM 3701-99E